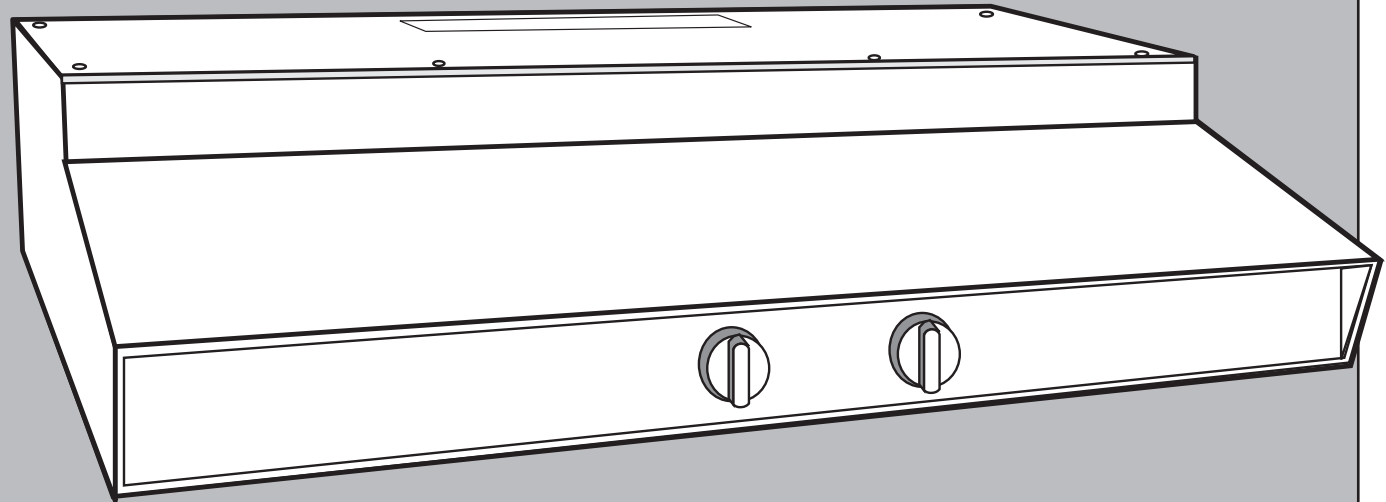


Installation Instructions and Use and Care



RH8330 SERIES
RH8336 SERIES

Part No. 626763/883264 Rev. C

IMPORTANT:
Read and save
these instructions.

**30" and 36"
Range Hood**

IMPORTANT:

Installer: Leave Installation Instructions with homeowner.

Homeowner: Keep Installation Instructions for future reference.

Save: Installation Instructions for electrical inspector's use.

www.whirlpool.com



Before you start...

Your safety and the safety of others are very important.

We have provided many important safety messages in this manual and on your appliance. Always read and obey all safety messages.



This is the safety alert symbol.

This symbol alerts you to potential hazards that can kill or hurt you and others.

All safety messages will follow the safety alert symbol and either the word "DANGER" or "WARNING". These words mean:

DANGER

You can be killed or seriously injured if you don't immediately follow instructions.

WARNING

You can be killed or seriously injured if you don't follow instructions.

All safety messages will tell you what the potential hazard is, tell you how to reduce the chance of injury, and tell you what can happen if the instructions are not followed.

Important: Observe all governing codes and ordinances.

Proper installation is your responsibility. Make sure you have everything necessary for correct installation. It is the responsibility of the installer to comply with the clearances specified.

Check the location where the range hood will be installed. The location should be away from strong draft areas, such as windows, doors, and strong heating vents.

Tools and materials needed for installation

- compass or 7" circle template
- pliers
- level
- Phillips screwdriver
- metal snips
- drill
- 1-1/4" drill bit
- pencil
- ruler
- caulking gun
- saber saw
- keyhole saw
- duct tape

Mobile home installation

The installation of this range hood must conform to the Manufactured Home Construction Safety Standards, Title 24 CFR, Part 328 (formerly the Federal Standard for Mobile Home Construction and Safety, Title 24, HUD, Part 280) or when such standard is not applicable, the Standard for Manufactured Home Installation 1982 (Manufactured Home Sites, Communities and Setups) ANSI A225.1/NFPA 501A, or latest edition, or with local codes.

Electrical requirements

Important: Observe all governing codes and ordinances.

It is the customer's responsibility:

To contact a qualified electrical installer.

To assure that the electrical installation is adequate and in conformance with National Electrical Code, ANSI/NFPA 70 — latest edition*, and all local codes and ordinances.

If codes permit and a separate ground wire is used, it is recommended that a qualified electrician determine that the ground path is adequate.

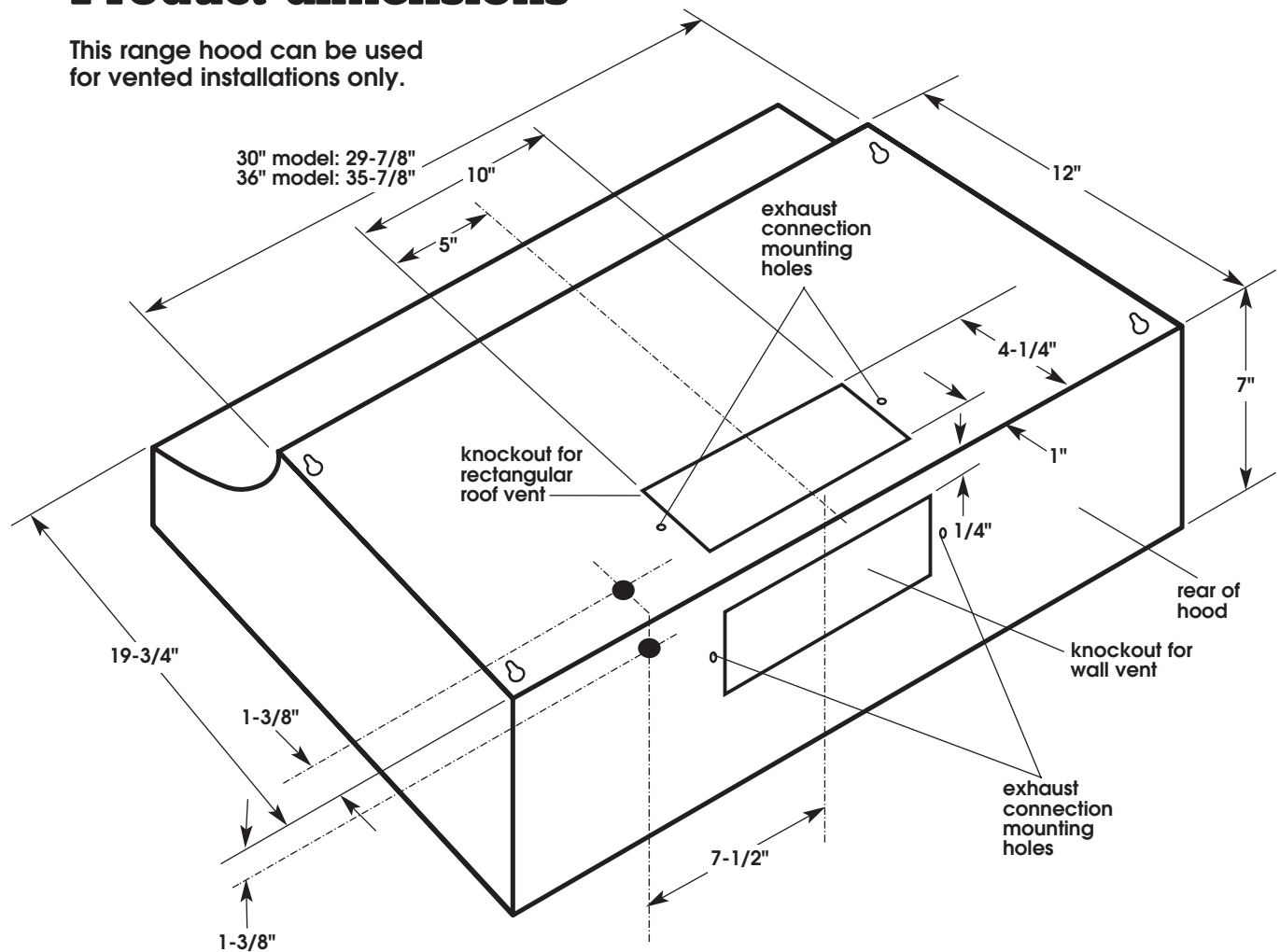
Do not ground to a gas pipe.

Check with a qualified electrician if you are not sure range hood is properly grounded.

Do not have a fuse in the neutral or ground circuit.

Product dimensions

This range hood can be used for vented installations only.



A. A 115-volt, 60-Hz, AC-only, fused electrical supply is required. The total ampere load used, including the range hood, must not exceed 90% of the rated capacity of the circuit. The ampere rating of the range hood is located on the model/serial number rating plate located on the side cover of the blower motor housing.

B. The range hood must be connected with copper wire only.

C. The range hood can be connected directly to the fused disconnect (or circuit breaker) box through flexible armored or nonmetallic sheathed copper cable. A U.L.-listed strain relief must be provided at each end of the power supply cable. Wire sizes (COPPER WIRE ONLY) and connections must conform with the rating of the appliance as specified on the model/serial rating plate.

For power cord connected installations, a U.L.-listed range hood cord-connection kit MUST be used. Note: Some models come with a factory installed 3 ft. long power cord having a 3-prong ground plug.

Wire sizes must conform to the requirements of the National Electrical Code ANSI/NFPA 70 — latest edition*, and all local codes and ordinances.

WARNING — TO REDUCE THE RISK OF FIRE, ELECTRIC SHOCK, OR INJURY TO PERSONS, OBSERVE THE FOLLOWING:

Installation work and electrical wiring must be done by qualified person(s) in accordance with all applicable Codes and Standards, including Fire Rated Construction. The combustion airflow needed for safe operation of fuel-burning equipment may be affected by this unit's operation. Follow the heating equipment manufacturer's guideline and safety standards such as those published by the National Fire Protection Association (NFPA), and the American Society of Heating Refrigeration and Air Conditioning Engineers (ASHRAE), and the local code authorities.

When cutting or drilling into wall or ceiling, do not damage electrical wiring and other hidden utilities.

Ducted fans must always be vented to the outdoors.

WARNING — To reduce the risk of fire, use only metal ductwork.

WARNING — TO REDUCE THE RISK OF FIRE, ELECTRIC SHOCK, OR INJURY TO PERSONS, OBSERVE THE FOLLOWING:

Use this unit only in the manner intended by the manufacturer. If you have questions, contact the manufacturer. Before servicing or cleaning unit, switch power off at service panel and lock switch power off at service panel and lock service panel to prevent power from being switched on accidentally. When the service disconnect means cannot be locked, securely fasten a prominent warning device such as a tag to the service panel

CAUTION: For general ventilating use only. Do not use to exhaust hazardous or explosive materials and vapors.

WARNING — TO REDUCE THE RISK OF A RANGE TOP GREASE FIRE:

Never leave surface units unattended at high settings. Boilovers cause smoking and greasy spillovers that may ignite. Heat oils slowly on low or medium settings.

Always turn hood ON when cooking at high heat or when cooking flaming foods.

Clean ventilating fans frequently. Grease should not be allowed to accumulate on fan or filter.

Use proper pan size. Always use cookware appropriate for the size of the surface element.

WARNING — TO REDUCE THE RISK OF INJURY TO PERSONS IN THE EVENT OF A RANGE TOP GREASE FIRE, OBSERVE THE FOLLOWING:

SMOTHER FLAMES with a close-fitting lid, cookie sheet, or metal tray, then turn off the burner. **BE CAREFUL TO PREVENT BURNS.** If the flames do not go out immediately, **EVACUATE AND CALL THE FIRE DEPARTMENT.**

NEVER PICK UP A FLAMING PAN — You may be burned.

DO NOT USE WATER, including wet dishcloths or towels — a violent steam explosion will result. Use an extinguisher ONLY if:

You know you have a Class ABC extinguisher, and you already know how to operate it.

The fire is small and contained in the area where it is started.

The fire department is being called.

You can fight the fire with your back to an exit.

Copies of standards listed may be obtained from:

* National Fire Protection Association
Batterymarch Park
Quincy, Massachusetts 02269

Venting requirements

Venting system must terminate to the outside.

Do not terminate the vent in an attic or other enclosed space.

Do not use four-inch laundry-type wall caps.

Do not use plastic vent.

Vent system needed for installation is not included.

It is recommended that the wall or roof cap used have a backdraft damper. If it does, remove the damper from the range hood exhaust connection supplied with the hood.

Determine which outside venting method you need to use.

The length of the vent system and number of elbows should be kept to a minimum to provide efficient performance. The size of the vent system should be uniform. Do Not install two elbows together. Use duct tape to seal all joints in the vent system. Vent system can terminate either through the roof or wall. Use caulking to seal exterior wall or roof opening around exhaust hood. For the most efficient and quiet operation, it is recommended that the range hood be vented vertically through the roof using 7" round vent system.

Flexible metal vent is Not recommended. If it is used, calculate each foot of flexible metal vent as two feet of straight metal vent. Flexible metal elbows count twice as much as standard elbows. Use metal ventwork only.

Figures 1-4 show common venting methods and what types of materials are needed.

Vertical roof venting

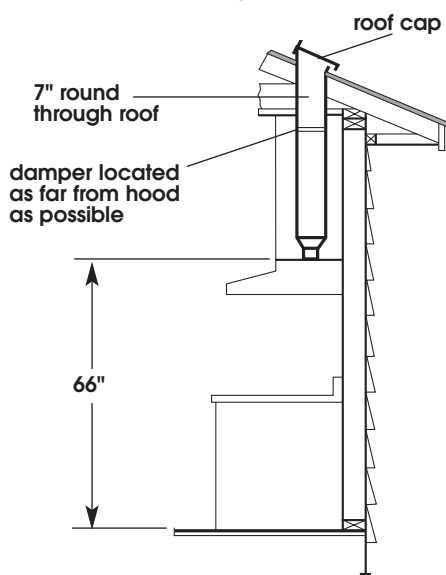


Figure 1

Vertical roof venting

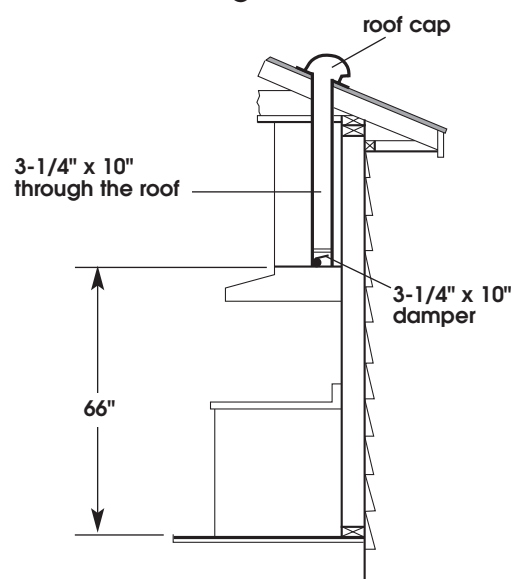


Figure 2

Horizontal wall venting

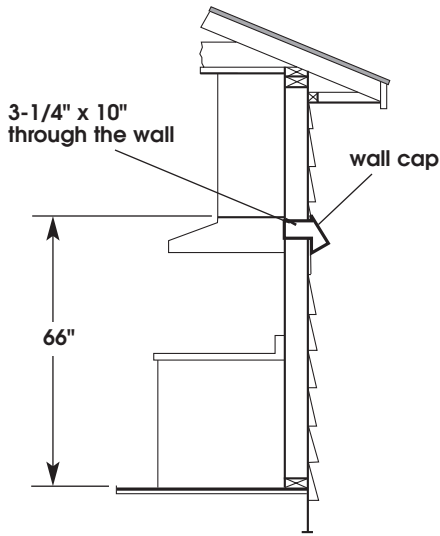


Figure 3

Recommended roof venting

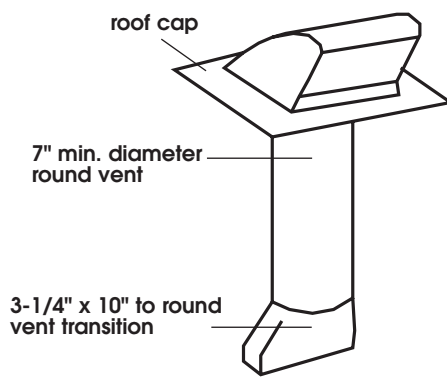


Figure 4

Recommended vent system lengths for venting an electric indoor grill

Indoor electric grills produce more smoke than normal cooking and require at least 410 CFM to provide adequate ventilation.

Horizontal wall venting

Use maximum of two feet of 3-1/4" x 10" vent with a wall cap and a free discharge area of 66 square inches. There should be no elbows in vent system between range hood and wall cap.

Vertical roof venting

Use maximum of four feet of 3-1/4" x 10" vent terminating with a roof cap and with a free discharge area of at least 66 square inches.

If longer vent system is required, the shortest possible ventwork length should be used to ensure the maximum CFM of air movement for best venting. A transition to round must be used as close to the hood as possible to eliminate the restriction caused by 3-1/4" x 10" vent. 45° elbows should be used instead of 90° elbows wherever possible. A roof cap providing a free area of 113 square inches is recommended.

Check the length of vent system used with lengths given in the chart to make sure vent system length does not exceed static pressure of .25.

Static pressure vs. vent system length

Static pressure	CFM	Equivalent vent system length (ft.)			
		3-1/4" x 10"	7" dia.	8" dia.	9" dia.
.06	460	4	10	19	34
.10	440	7	17	31	56
.15	417	11	25	47	83
.20	390	15	33	62	111
.25	355	18	42	78	
90° elbow		5	11	12	14
45° elbow		2-1/2	5-1/2	6	7

Now start...

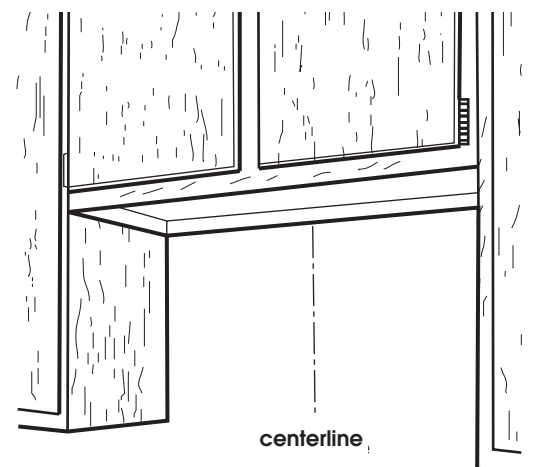
With range hood in kitchen.

Slide cardboard or hardboard under range before moving range across floor to prevent damaging floor covering.

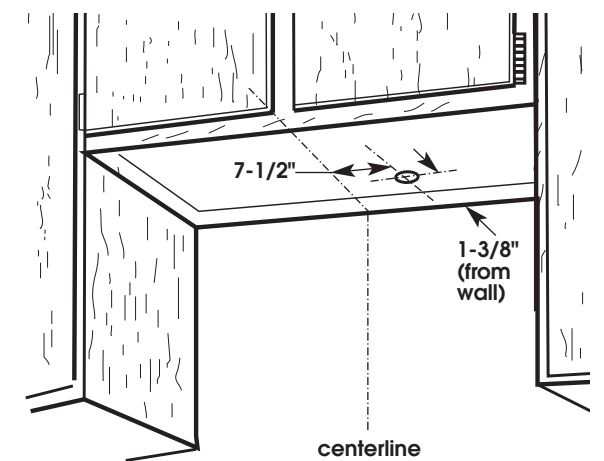
Cover countertop, cooktop or set-in range with a thick, protective covering to prevent damaging countertop.

1. Determine which venting method, roof or wall hood venting, you need to use. **The range hood comes shipped for venting through the roof.**

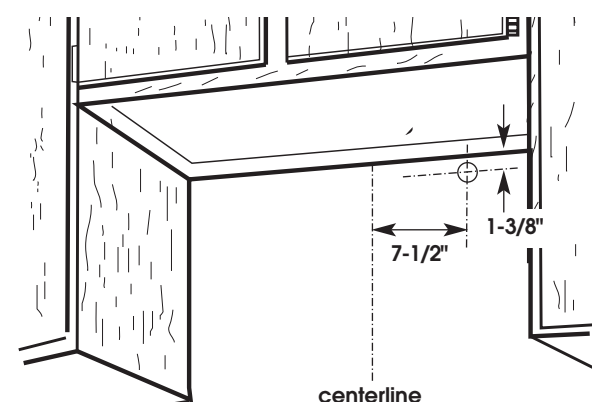
2. Disconnect and move freestanding range from cabinet opening to provide easier access to upper cabinet and rear wall. Put a thick, protective covering over cooktop, set-in range or countertop to protect from damage or dirt. A protective covering will also be needed to set range hood on while getting it ready for installation.



3. Determine and clearly mark a vertical centerline on the wall and cabinet in the area the vent opening will be made.

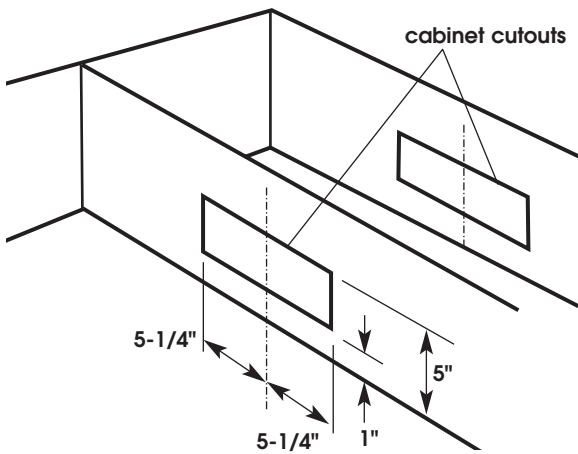
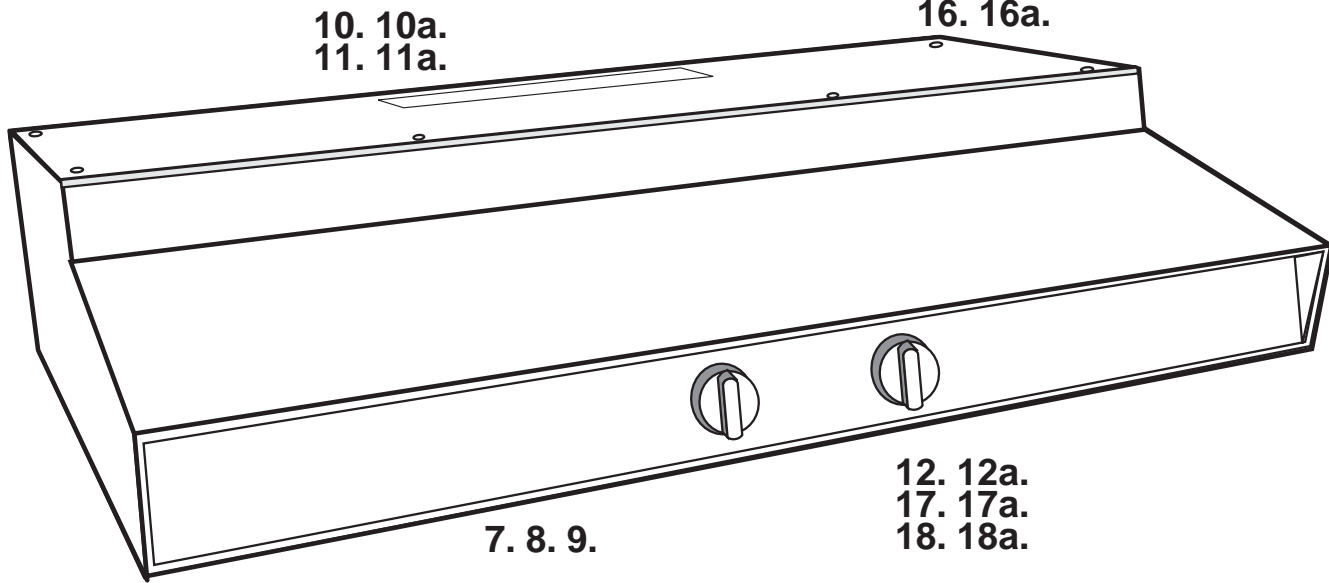


4. To wire through top, mark a line 7-1/2" from the right of the centerline on the underside of the cabinet. Mark the point on this line that is 1-3/8" from back wall. Drill a 1-1/4" diameter hole through the cabinet at this point. Note: If a cord-connection kit is used, drill a 1-5/8" diameter hole.



To wire through rear, mark a line 7-1/2" from the right of the centerline on the wall. Mark the point on this line that is 1-3/8" from underside of cabinet. Drill a 1-1/4" diameter hole through wall at this point.

Numbers correspond to steps.

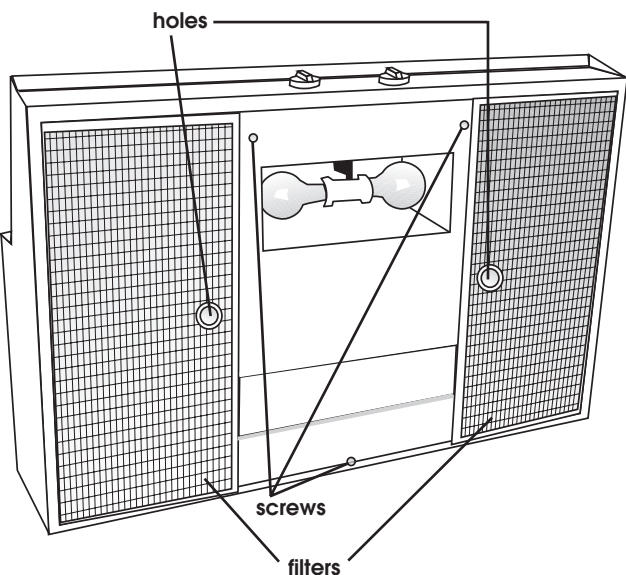


5. To vent through the roof with 3-1/4" x 10" rectangular vent, mark a line 1" and 5" from the back wall on the underside of the cabinet. Mark lines 5-1/4" to the right and left of the centerline on the underside of cabinet that connect the lines just drawn. Use a keyhole saw or saber saw to cut a rectangular opening for the vent system. Repeat for the underside of the top of the cabinet.

To vent through wall with 3-1/4" x 10" rectangular vent, measure 1/8" and 3-5/8" down from underside of cabinet and mark on back wall. Measure and mark a line 5-1/4" to right and left of centerline, connecting the two lines. Use a keyhole saw or saber saw to cut a rectangular opening for the vent system.

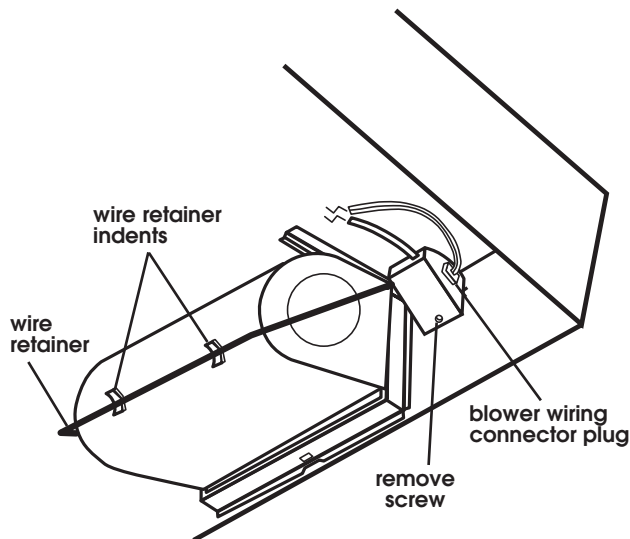
To vent through the roof with round vent, a 3-1/4" x 10" to round transition piece must be used.

6. Install vent system through the vent opening in upper cabinet or wall. Complete venting system according to method needed. See Venting requirements. Use caulking to seal exterior wall or roof opening.



7. Set range hood on protective cover. Insert finger into hole in filter and pull back and down to remove. Repeat for other filter.

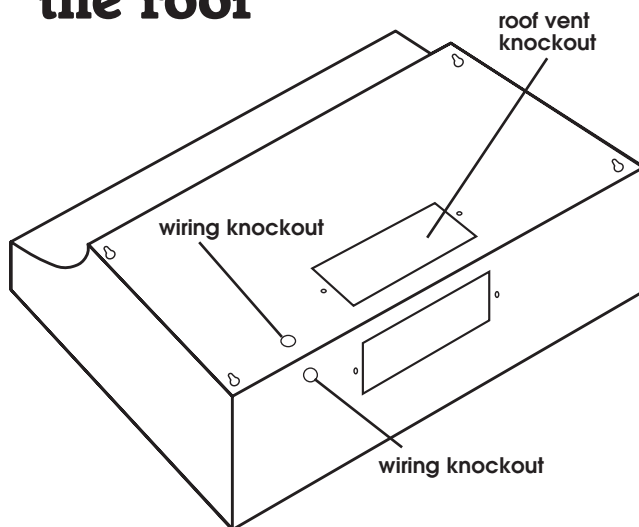
8. Remove three screws that hold light cover panel in place. Remove light panel and set aside.



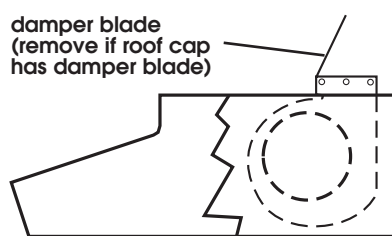
9. Carefully disconnect blower wiring connector from terminal box connector plug. Snap blower wire retainer out of blower housing. Carefully set blower on protective covering.

Note: It is much easier to remove the vent knockouts and to install the range hood with the blower removed.

Venting through the roof



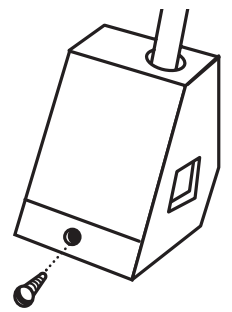
10. Remove the roof vent knockout. Remove top or rear wiring knockout as needed.



11. Attach exhaust vent connection to range hood. Check that the damper blade rotates up and down freely, if used.

12.

Remove the screw holding the terminal box cover. Remove cover.



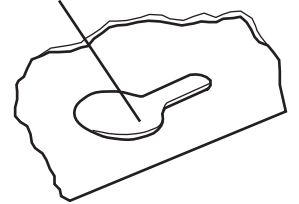
⚠ WARNING

Excessive Weight Hazard

Use two or more people to move and install range hood.

Failure to follow this instruction can result in back or other injury.

keyhole slot



13.

Lift the range hood into final position and center. Mark on the underside of cabinet the location of the four keyhole mounting slots and the wiring knockout. On some cabinets, filler blocks may need to be added for range hood to attach to cabinet. Set range hood aside on a protected surface.

14.

Do Not turn on power until installation is complete. Run wiring through wall or cabinet according to the National Electrical Code and local codes and ordinances.

Do not turn on power until installation is complete. Run wiring through wall or cabinet according to the National Electrical Code and local codes and ordinances.

keyhole slot outline

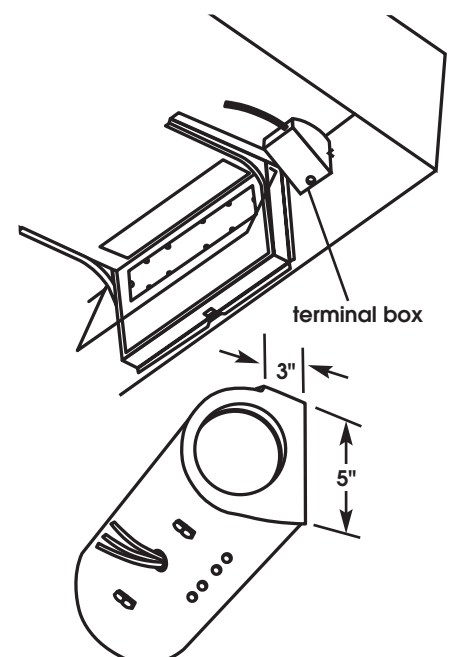


15.

Start screws into neck area of each of the four keyhole mounting screw slots marked on the cabinet bottom.

16.

Lift range hood into position, and feed electrical wire through wiring opening. Position the range hood so that the large end of the keyhole slots are over the screws. Then push the range hood toward the wall so that the screws are in the neck of the keyhole slots. Tighten mounting screws to cabinet, making sure mounting screws are in narrow neck of slots. Make sure that damper blade rotates up and down freely.



17.

Reinstall blower back into position. Snap blower wire retainer back into blower housing indents. Reconnect the blower wiring connector back into the terminal box connector plug.

⚠️ WARNING

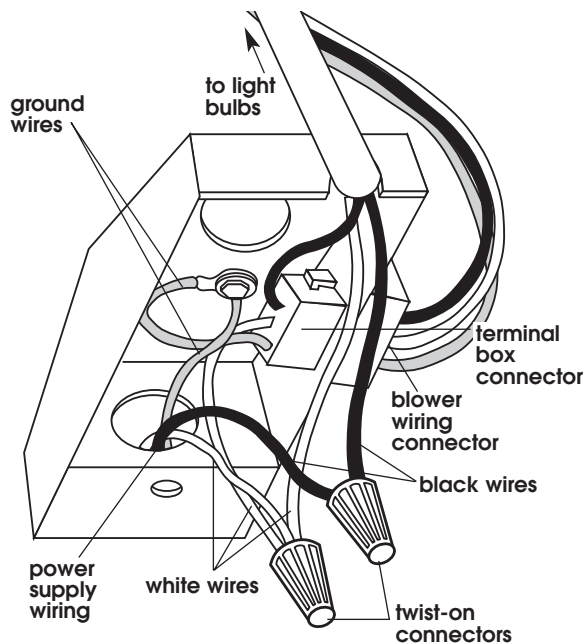


Electrical Shock Hazard

Disconnect power before making electrical connections.

Connect ground wire to green ground screw in terminal box.

Failure to do so can result in death or electrical shock.



18.

For models requiring direct wiring:

Connect white wiring from the terminal box, light harness and power supply wiring together with twist-on connector.

Connect black wiring from the terminal box to power supply wiring with twist-on connector.

Connect the power supply ground wire and the green ground wire inside the terminal box under the terminal box ground screw.

Use caulking to seal wire opening.

Replace terminal box cover.

For cord connected models:

⚠️ WARNING



Electrical Shock Hazard

Plug into a grounded 3-prong outlet.

Do not remove ground prong.

Do not use an adapter.

Failure to follow these instructions can result in death, fire, or electrical shock.

For your personal safety, this range hood must be grounded. To minimize possible shock hazard, the cord must be plugged into a mating, 3-prong, ground-type outlet, grounded in accordance with National Electrical Code, ANSI/NFPA 70 - latest edition* and all local codes and ordinances.

If mating outlet is not available, it is the responsibility and obligation of the customer to have a properly grounded, 3-prong outlet installed by a qualified electrician.

Do not use an extension cord.

Using a U.L.-listed power supply cord-connection kit:

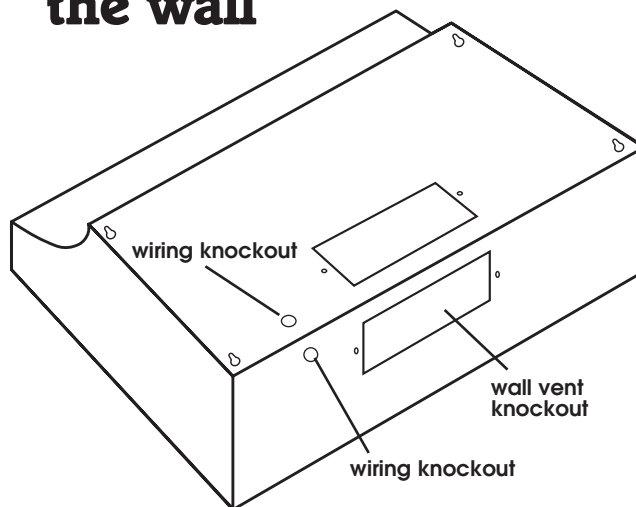
Follow Power Cord Kit instructions for connecting wiring.

Replace terminal box cover.

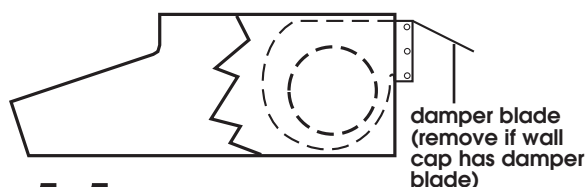
19.

Turn power supply on.

Venting through the wall



10a. Remove the wall vent knockout and the inner knockout behind it. Remove top or rear wiring knockout as needed.

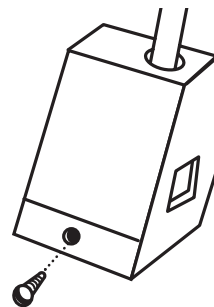


11a.

Attach the exhaust vent connection to the range hood. Check that the damper blade rotates up and down freely, if used.

12a.

Remove the screw holding the terminal box cover. Remove cover.



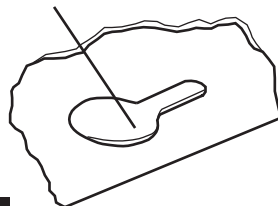
⚠️ WARNING

Excessive Weight Hazard

Use two or more people to move and install range hood.

Failure to follow this instruction can result in back or other injury.

keyhole slot



13a.

Lift the range hood into final position and center. Mark on the underside of cabinet the location of the four keyhole mounting slots and the wiring knockout. On some cabinets, filler blocks may need to be added for range hood to attach to cabinet. Set range hood aside on a protected surface.

14a.

Do Not turn on power until installation is complete.

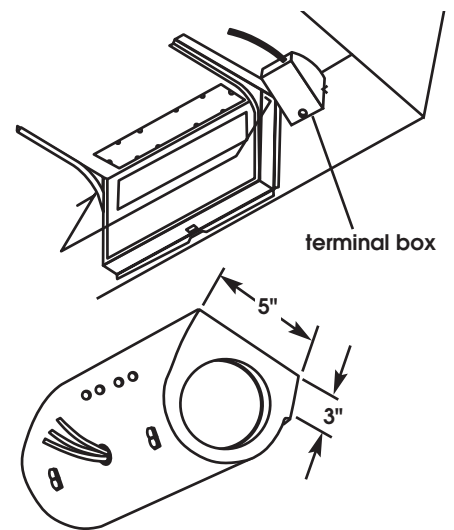
Run wiring through wall or cabinet according to the National Electrical Code and local codes and ordinances.

keyhole slot outline



15a. Start screws into neck area of each of the four keyhole mounting screw slots marked on the cabinet bottom.

16a. Lift range hood into final position, feeding electrical wire through wiring opening. Position the range hood so that the large end of the keyhole slots are over the screws. Then push the hood toward the wall so that the screws are in the neck of the slots. Tighten mounting screws to cabinet, making sure mounting screws are in narrow neck of slots. Make sure that damper blade rotates up and down freely.



17a.

Reinstall blower back into position. Snap blower wire retainer back into blower housing indents. Reconnect the blower wiring connector back into the terminal box connector plug.

⚠ WARNING

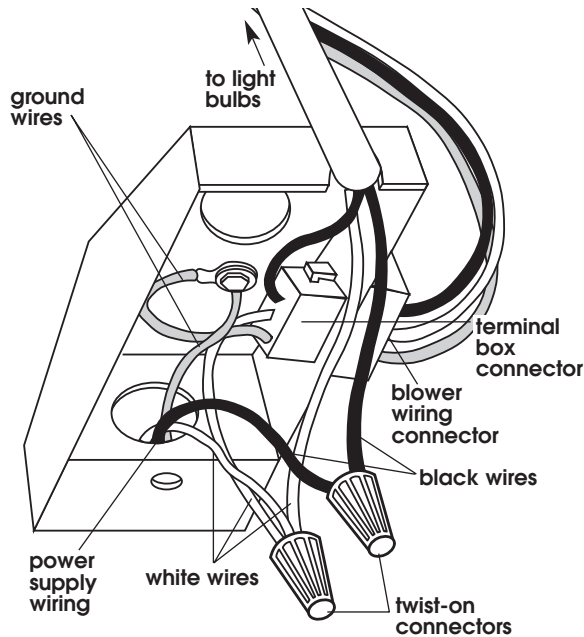


Electrical Shock Hazard

Disconnect power before making electrical connections.

Connect ground wire to green ground screw in terminal box.

Failure to do so can result in death or electrical shock.



18a.

For models requiring direct wiring:

Connect white wiring from the terminal box, light harness and power supply wiring together with twist-on connector.

Connect black wiring from the terminal box to power supply wiring with twist-on connector.

Connect the power supply ground wire and the green ground wire inside the terminal box under the terminal box ground screw.

Use caulking to seal wire opening.

Replace terminal box cover.

For cord connected models:

⚠ WARNING



Electrical Shock Hazard

Plug into a grounded 3-prong outlet.

Do not remove ground prong.

Do not use an adapter.

Failure to follow these instructions can result in death, fire, or electrical shock.

For your personal safety, this range hood must be grounded. To minimize possible shock hazard, the cord must be plugged into a mating, 3-prong, ground-type outlet, grounded in accordance with National Electrical Code, ANSI/NFPA 70 – latest edition* and all local codes and ordinances.

If mating outlet is not available, it is the responsibility and obligation of the customer to have a properly grounded, 3-prong outlet installed by a qualified electrician.

Do not use an extension cord.

Using a U.L.-listed power supply cord-connection kit:

Follow Power Cord Kit instructions for connecting wiring.

Replace terminal box cover.

19a.

Turn power supply on.

Copies of standards listed may be obtained from:

* National Fire Protection Association
Batterymarch Park
Quincy, Massachusetts 02269

Use & Care Information

Use this range hood only in the manner intended by the manufacturer. If you have any questions, contact the manufacturer. Before installation and before servicing or cleaning range hood, switch off power at service panel and lock service panel to prevent power from being switched on accidentally. When the service disconnecting means cannot be locked, securely fasten a prominent warning device, such as a tag, to the service panel.

Operation of range hood

For best results, turn range hood fan on at beginning of cooking and allow it to run until all smoke and odors are removed from room.

To adjust fan speed:

Turn fan speed control to desired setting between "Hi" and "Lo". Speed may be changed anytime during range hood operation.

To turn range hood light "ON" and "OFF":

Turn light control to operate light "ON" or "OFF". Light may be turned to "OFF" or "ON" anytime during range hood operation.

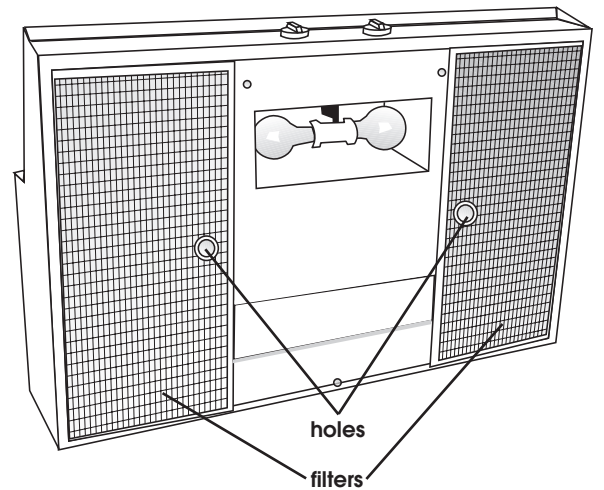
"Night" light setting:

Turn light control to "Night" setting when you need the light dimmed for use as a night light.

Care of range hood

Filters:

For best results, remove and clean often.



To remove aluminum filters:

Place finger in hole. Pull back and down.

To clean aluminum filters:

Place filters in dishwasher or hot sudsy water to clean.

To reinstall aluminum filters:

Place edge of filter in channel opening so that side is above flange. Pull back. Press filter into position.

When it's time to replace your aluminum filter:

1. Choose your filter order number.
30" Hood Model RH8330:
Order Filter no. 883276
36" Hood Model RH8336:
Order Filter no. 883277
2. Call Whirlpool's Telesales line at 1-800-442-9991
3. Give the Telesales Representative the part number needed.
4. The Representative will give you the current price.
5. Place your order using your Master Card®, Visa® or Discover® credit card.
6. If you wish: mail a check or money order to:

Whirlpool Corporation
1900 Whirlpool Drive
LaPorte, IN 46350-9980
Attn: Accessory Accounting
7. Be sure to ask the Telesales Representative about the wide variety of other Whirlpool Product Accessories.

Blower motor:

To clean blower motor:

Clean exterior of motor with a damp cloth and grease-cutting detergent.

Exterior surfaces:

Clean the range hood with a mild detergent and soft cloth. Do Not use abrasive cleaners or steel wool.

Light:

Do Not use bulbs larger than 60 watts in light sockets.

To replace bulbs:

Remove three screws that hold light cover panel in place. Remove panel and set aside. Replace bulb.

Replace light cover panel before operating fan or light.

Light bulbs are not included.

If range hood does not operate...

Check that the circuit breaker is not tripped or the house fuse blown.

If you need assistance...

The Whirlpool Consumer Assistance Center will answer any questions about operating or maintaining your range hood not covered in the Installation Instructions. The Whirlpool Consumer Assistance Center is open 24 hours a day, 7 days a week. Just dial 1(800) 253-1301 — the call is free.

If you need service...

In the event your Whirlpool appliance should need service, call the dealer from whom you purchased the appliance or a Whirlpool-authorized service company. A Whirlpool-authorized service company is listed in the Yellow Pages of your phone directory under "Appliance — Household — Major — Service or Repair." You can also obtain the service company's name and number by dialing, free, within the continental United States, the Whirlpool Consumer Assistance Center number, 1(800) 253-1301.

Maintain the quality built into your Whirlpool appliance — call a Whirlpool-authorized service company.

Whirlpool® Range Hood Warranty

LENGTH OF WARRANTY	WHIRLPOOL WILL PAY FOR
FULL ONE-YEAR WARRANTY From date of purchase	FSP® replacement parts and repair labor to correct defects in materials or workmanship. Service must be provided by an authorized Whirlpool SM service company.
WHIRLPOOL WILL NOT PAY FOR	
<ul style="list-style-type: none"> A. Any labor costs incidental to the replacement of defective parts. B. Consumable parts such as light bulbs and filters. C. Service calls to: <ul style="list-style-type: none"> 1. Correct the installation of the range hood. 2. Instruct you how to use the range hood. 3. Replace house fuses or correct house wiring. D. Repairs when range hood is used in other than normal, single-family household use. E. Pickup and delivery. This product is designed to be repaired in the home. F. Damage to range hood caused by accident, misuse, fire, flood, act of God or use of products not approved by Whirlpool. 	

WHIRLPOOL CORPORATION SHALL NOT BE LIABLE FOR INCIDENTAL OR CONSEQUENTIAL DAMAGES. Some states do not allow the exclusion or limitation of incidental or consequential damages so this limitation or exclusion may not apply to you. This warranty gives you specific legal rights, and you may also have other rights which vary from state to state.

Outside the United States, a different warranty may also apply. For details, please contact your franchised Whirlpool distributor or military exchange.

